



Suzuki TL1000R CUT Frame Slider Installation Instructions
Part Numbers: 750-5119, 750-5110

MADE IN THE USA!

Carefully read instructions in their entirety before the install

Professional installation is recommended. Always use proper safety measures during the install of this product. Do not try to install this product without proper tools, recently calibrated torque wrench, correct torque specifications from factory service manual, safety goggles and gloves. The motorcycle must be in a fixed secure position before the install process begins. DO NOT remove both engine studs at the same time. **Shogun is not responsible for any part of your motorcycle for any reason.** Precisely measure location of cut and if in doubt at any point please call us before the install process has begun. Some photos may be used for illustration examples only.

Replacement Parts List: Left Side Components (as if you were sitting on the bike)

| QTY | Price each | Part Numbers | Descriptions |
|-----|------------|------------------|---|
| 1 | \$20.00 | 99-FS-750-5119-L | Black Left Side Puck |
| 1 | \$20.00 | 99-FS-750-5110-L | White Left Side Puck |
| 1 | \$20.00 | 99-OF-750-5110-B | Left Side Offset Black Anodized |
| 1 | \$2.00 | 99-HB-SH10150050 | Socket Cap 10 X 1.5 X 50 (Holds puck to offset) |
| 1 | \$3.50 | 99-HB-SH10125080 | Socket Cap 10 X 1.25 X 80 (Goes through the Offset into the Frame) Main Engine Stud |

Replacement Parts List: Right Side Components (as if you were sitting on the bike)

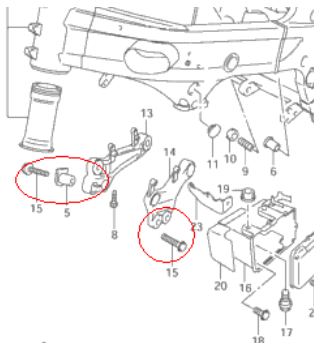
| | | | |
|---|---------|------------------|---|
| 1 | \$20.00 | 99-FS-750-5119-R | Black Right Side Puck |
| 1 | \$20.00 | 99-FS-750-5110-R | White Right Side Puck |
| 1 | \$20.00 | 99-OF-750-5110-B | Right Side Offset Black Anodized |
| 1 | \$2.00 | 99-HB-SH10150050 | Socket Cap 10 X 1.5 X 50 (Holds puck to offset) |
| 1 | \$3.50 | 99-HB-SH10125080 | Socket Cap 10 X 1.25 X 80 Main Engine Stud |

Frame Sliders: Left slider is longer than right. Offsets are the same.

Some photos may be used for illustration examples only.

Installation Steps:

1. Remove left side Body work and forward engine stud (Number 15 as seen in illustration)



2. Use the (99-HB-SH10125080) Socket Cap 10 X 1.25 X 80 Main Engine Stud to mount the Left side offset. Position the offset to be as close as possible to the body work opening (may have to loosely mount body work). Torque down to OEM torque specs.
3. Loosely mount the left side body panel. You will be able to see the offset in the opening of the fairings. Tape a 6 inch area on the body work surrounding the offset using masking tape. Take your dremel (we use a dremel with a sand paper roll) and slowly shave out the body work exposing the offset behind the body work. Continue this process matching the puck up to the offset until you get the desired clearance (outlining on the tape can help with this process).
4. Mount left hand frame slider to the offset using. Use (99-HB-SH10150050) 10 X 1.5 X 50 Socket cap bolt with one drop of blue thread locker on the threads and torque down to 32 foot lbs.
5. Secure body work.
6. On the right hand side repeats step 1-5

READ CAREFULLY

Shogun cannot guarantee that they will protect your motorcycle from any extent of damage. Shogun frame sliders are really meant to help possibly save the frame from damage in the event of a crash. Because Shogun frame slider products have been successful in saving cases, bodywork, levers and so on in the past, customers just assume sometimes you can put the product on and no damage will happen. The fact is, some crashes result in little or no damage to the motorcycle and some bikes are destroyed. It's kind of like a bumper on a car sometimes it works sometimes it doesn't, it really depends on all the different forces applied during the incident. We've seen bikes crash at 100 mph with little damage and some at 15 mph with major damage.